

14 pin DIL SMD Sine Wave Clock Oscillator

- Frequency range 10MHz to 30MHz
- True sine wave clock oscillators
- High purity
- Low harmonic distortion



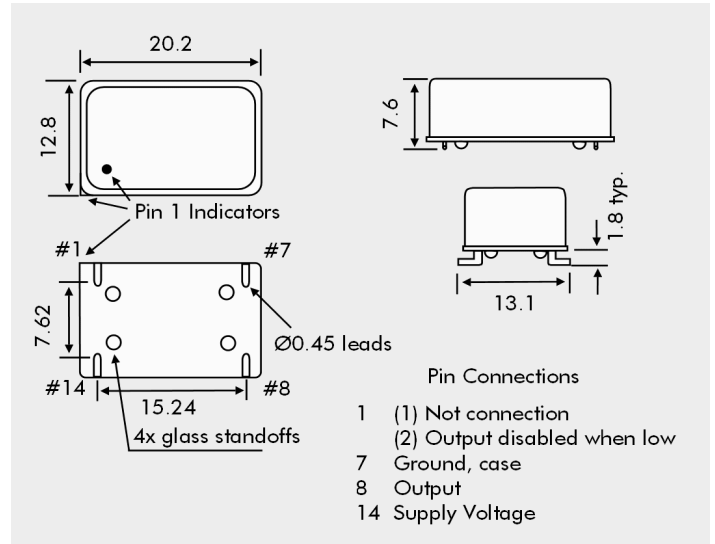
DESCRIPTION

HSR14 sine wave clock oscillators provide a true sine wave out output and are packaged in the industry-standard, 14 pin DIL package with formed leads for SMD application. The oscillator is capable of being produced with close tolerances and exhibits low current consumption.

SPECIFICATION

Output Waveform:	True sine wave
Supply Voltage:	+2.8V±5%, 3.3V±5% or 5.0VDC±10%
Frequency Range:	10.0MHz to 30.0MHz
Output Level:	1.0 V p-p typical
Current Consumption	
Supply = 2.8Volts:	1.0mA
Supply = 3.3Volts:	1.5mA
Supply = 5.0Volts:	1.2mA
Load:	10kΩ//10pF
Harmonics:	< -25dBc (frequency dependent)
Start-up Time:	2.0 ms typical
Storage Temperature:	-55° to +125°C
Pin 1 Option:	No pin 1 option
Frequency Stability:	See table
Sub-Harmonics:	None
Ageing:	±5ppm per year maximum

OUTLINE & DIMENSIONS

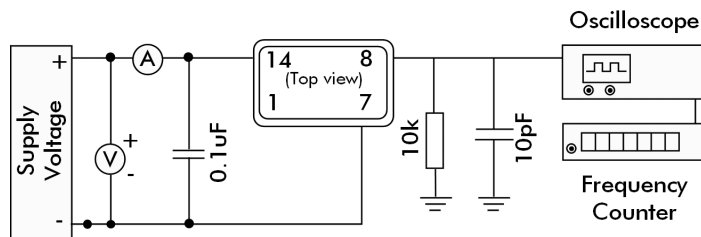


FREQUENCY STABILITY OVER TEMPERATURE

Frequency Stability over Operating Temp. Range*	±25ppm	±50ppm	±100ppm
Commercial -10° to +70°C	A	B	C
Industrial -40 to +85°C	D	E	F

* If non-standard temperature stability is required enter the desired stability in ppm after either 'C' (-10° to +70°) or 'I' (-40° to +85°C)
Example: 'C20' = ±20ppm over -10 to +70°C

HSR SERIES TEST CIRCUIT



PART NUMBER FORMAT

Example: 3HSR24-B-25.000-X

