

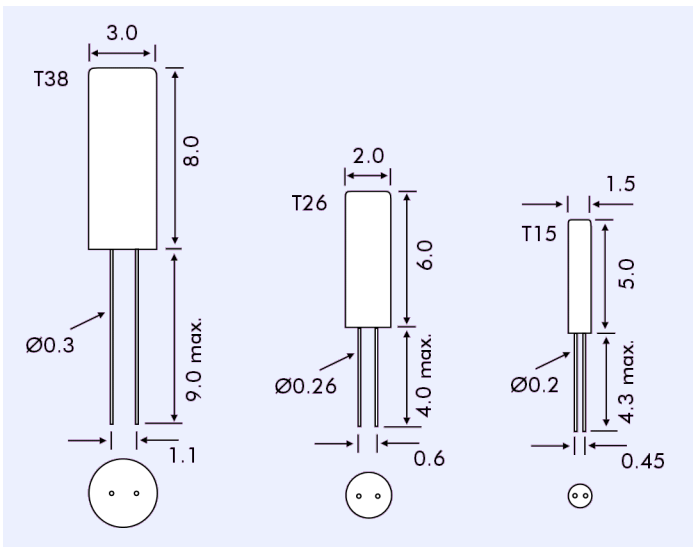
- Micro-tubular holder (cylindrical type) X-cut crystals
- Ideal for 1Hz timing
- Compact and high shock performance



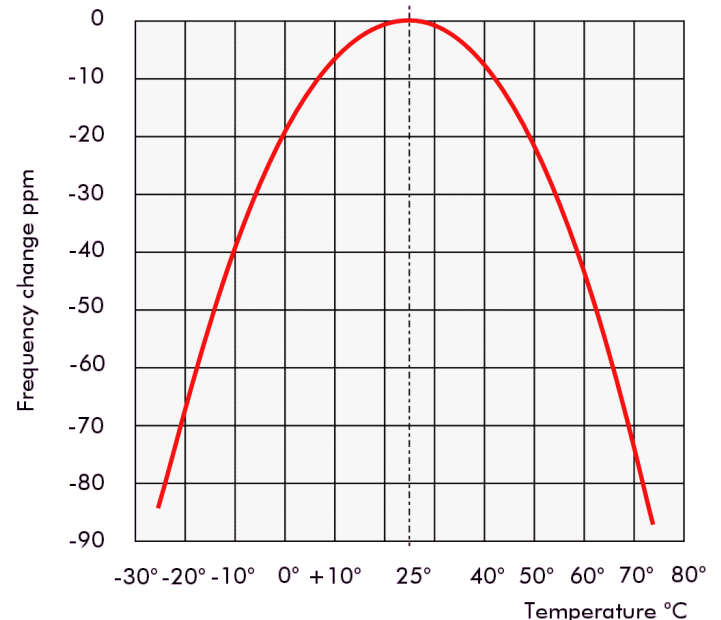
SPECIFICATION

	32.768kHz		
	T15	T26	T38
Nominal Frequency:	32.768kHz		
Crystal Holder Prefix:	T15	T26	T38
MEC Part Number:	T15-32.768K-8P	T26-32.768K-12.5P	T38-32.768K-12.5P
Holder Dimensions:	1.5Ø x 5.0mm	2.0Ø x 6.0mm	3.0Ø x 8mm
Frequency Tolerance:	±15ppm; ±20ppm (standard); ±30ppm (at 25°C)		
Maximum ESR:	40kΩ	35kΩ	35kΩ
Quality Factor (Q):	40,000 minimum	50,000 minimum	50,000 minimum
Motional Capacitance: (C1):	0.0025pF typical	0.0030pF typical	0.0035pF typical
Shunt Capacitance (C0):	1.00pF typical	1.35pF typical	1.60pF typical
Capacitance Ratio (C0:C1):	400 typical	450 typical	460 typical
Load Capacitance (CL):	8pF typical	6pF or 12.5pF	6pF or 12.5pF
Vibration Mode:	X-Cut		
Turnover Temperature (TT):	25°±5°C		
Drive level:	1.0 µW maximum		
Parabolic Constant:	-0.035ppm /°C ² typical		
Operating Temp. Range:	-10° to +60°C		
Storage Temp. Range:	-30° to +70°C		
Shock:	3ppm maximum, 3 drops from a height of 75cm onto hardwood		
Vibration:	3ppm maximum		
Ageing:	±3ppm maximum in first year		

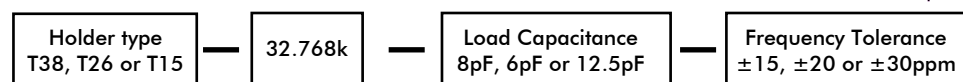
OUTLINE & DIMENSIONS



FREQUENCY vs TEMPERATURE



PART NUMBER FORMAT



Example: T26-32.768k-6P-20 Represents: 2 x 6mm holder, 32.768kHz with CL = 6pF and tolerance ±20ppm