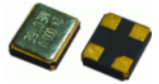


nA Current 32.768kHz 3.28 x 2.5 x 0.9mm

- Miniature 3.28 x 2.5 x 0.9mm SMD package
- Frequency: 32.768kHz
- Supply voltage 1.8, 2.5, 3.0, 3.3 or 5.0 Volts
- Highly stable source of real-time clock signals



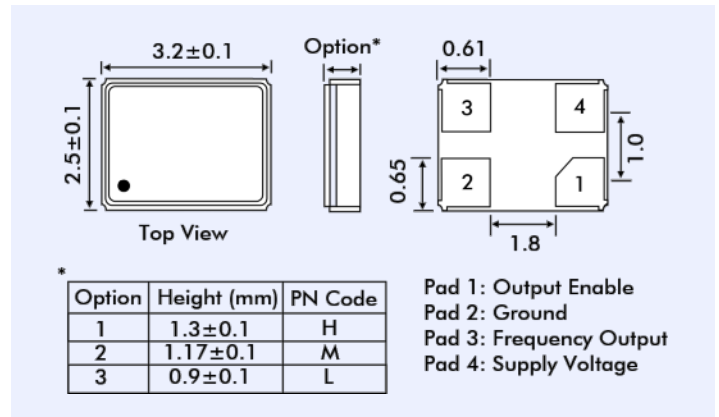
DESCRIPTION

ME32T series TCXOs are packaged in a miniature 4 pad ceramic SMD package. With squarewave (CMOS) output, the part supplies a highly stable source of real-time clock signals.

SPECIFICATION

Product Series Code:	ME32T
Frequency Range:	32.7680kHz
Output Waveform:	Square wave, HCMOS
Initial Calibration Tolerance	±1.5ppm at 25°±3°C
Frequency Stability over Temperature:	±2ppm over 0° to +50°C ±2.5ppm over -20° to +70°C ±5ppm over -40° to +85°C
Timing error over time:	±0.432 s/day, ±12.960 s/month ±2.628 min/year
Frequency Stability vs. Ageing:	±3 ppm max. first year
vs. Voltage Change:	±0.2 ppm max. ±5% change
vs. Load Change:	±0.2 ppm max. ±10% change
vs. Reflow:	±1ppm max. for one reflow (Measured after 24 hours)
vs. All Range of Vdd:	±1 ppm/Volt max.
Output Logic/ Output Load:	CMOS / 15pF
Supply Voltage Variation:	0.25V max.
Output Voltage Level HIGH (V _{OH}):	V _{DD} -0.4V (min.) I _{OH} : -0.1mA
Output Voltage Level LOW (V _{OL}):	0.4V (max.) I _{OH} : -0.1mA (all V _{DD} range)
Startup Time:	1s max. at 25°C, 3s max over -40° to +85°C
Rise/Fall Time:	100ns max, 15pF load
Duty Cycle:	50%±10%
Pad 1. OE Thresholds:	V _{IH} = 0.8*V _{DD} , V _{IL} = 0.2*V _{DD}
Storage Temperature:	-50° to +100°C
RoHS Status:	RoHS Compliant and lead free

ME32T - OUTLINE AND DIMENSIONS



PART NUMBERING PROCEDURE

