

HCMOS 7 x 5 x 2.3mm SMD

- Miniature 7 x 5 x 2.3mm SMD package
- Frequency range: 20.0 to 50.0kHz; 32.768kHz
- Supply voltage 3.3 or 5.0 Volts
- Frequency stability from ± 1 ppm over -30 to +75°C
- RoHS compliant



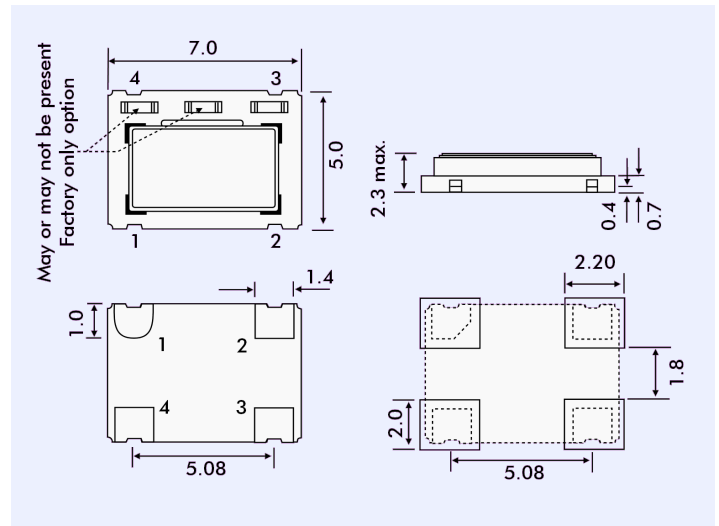
DESCRIPTION

M572T series TCXOs are packaged in a miniature 4 pad ceramic SMD package. With squarewave (CMOS) output, tolerances are available from ± 1.0 ppm over -30° to +75°C. The part has a 0.01 μ F decoupling capacitor built in.

SPECIFICATION

Product Series Code:	M572T
Frequency Range:	20.0kHz to 50.0kHz
Output Waveform:	Square wave, HCMOS
Initial Calibration Tolerance	
With mechanical trimmer:	$< \pm 1$ ppm at 25 ± 2 °C
Without mech. trimmer:	$< \pm 2$ ppm at 25 ± 2 °C
Standard Frequency:	32.768kHz
Operating Temperature Range:	See table
Frequency Stability	
vs. Ageing:	± 1.0 ppm max. first year
vs. Voltage Change:	± 0.2 ppm max. $\pm 5\%$ change
vs. Load Change:	± 0.2 ppm max. $\pm 10\%$ change
vs. Reflow:	± 1 ppm max. for one reflow (Measured after 24 hours)
Supply Voltage:	+3.3V or +5.0Volts
Output Logic levels	
Logic High '1':	90% V _{DD} minimum
Logic Low '0':	10% V _{DD} maximum
Rise/Fall Times:	1~3ns typical
Current Consumption:	8.0mA max. at 32.768kHz 21.0mA max. at 50.0kHz
Duty Cycle:	50 $\pm 5\%$
Start-up Time:	2ms typical, 5ms max.
Output Load:	15pF
Storage Temperature:	-50° to +100°C
RoHS Status:	RoHS Compliant and lead free

M572T - OUTLINE AND DIMENSIONS



VM572T VOLTAGE CONTROL SPECIFICATION

Control Voltage:	Standard = +1.5 ± 1.0 Volts for all input voltages. (Contact technical sales if +2.5 ± 2.0 Volts is required.)
Frequency Deviation:	± 6.0 ppm min.
Slope Polarity:	Positive (increase of control voltage increases output frequency.)
Input Impedance:	1.0M Ω min.
Modulation Bandwidth:	3.0kHz min. measured at -3dB
Linearity:	10% max.

FREQUENCY STABILITY vs TEMPERATURE

Freq. Stability (ppm)		± 0.5	± 1.0	± 1.5	± 2.0	± 2.5
Temp. Range (°C)	0 ~ +55	✓	✓	✓	✓	✓
	-10 ~ +60	✓	✓	✓	✓	✓
	-20 ~ +70	✓	✓	✓	✓	✓
	-30 ~ +75	ASK	✓	✓	✓	STD
	-40 ~ +85	x	ASK	✓	✓	✓

✓ = available
 x = not available
 ASK = call Tech. Sales
 STD = standard

PART NUMBERING PROCEDURE

Example: **M572T33-32.768k-2.5/-30+75**

Series Description
 TCXO = M572T
 VCTCXO = VM572T

Supply Voltage
 33 = 3.3 VDC
 5 = 5.0 VDC

Frequency (kHz)
 Stability over OTR (\pm ppm)
 Operating Temperature Range (OTR) (°C)
 (Lower and upper limits)