

14 pin DIL SMD Sine Wave Clock Oscillator

- Frequency range 10MHz to 800MHz
- True sine wave clock oscillators
- High purity
- Low harmonic distortion



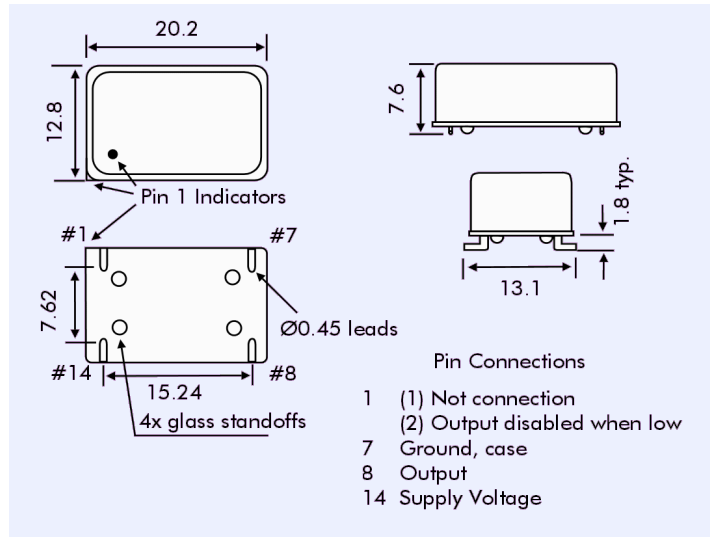
DESCRIPTION

HS24 sine wave clock oscillators provide a true sine wave out output and are packaged in the industry-standard 14 pin DIL outline with leads formed for SMD mounting. The oscillator is capable of being produced with close tolerances and exhibits low current consumption.

SPECIFICATION

Output Waveform:	True sine wave
Supply Voltage:	+3.3 VDC±5% or 5.0VDC±10%
Frequency Range	
Supply = 3.3Volts:	10.0MHz to 800.0MHz
Supply = 5.0Volts:	10.0MHz to 156.0MHz
Output Level	
Standard:	+3.0dBm min. ±1dB
Maximum:	+7.0dBm (User specified)
Current Consumption:	See table
Load:	50Ω (Internally AC coupled)
Harmonics:	< -30dBc (frequency dependent)
Start-up Time:	6.0 ms typical
Storage Temperature:	-50° to +100°C
Pin 1 Option:	Output disable when taken low
Frequency Stability Codes:	See table
Sub-Harmonics:	None
Ageing:	±5ppm per year maximum

OUTLINE & DIMENSIONS



FREQUENCY STABILITY OVER TEMPERATURE

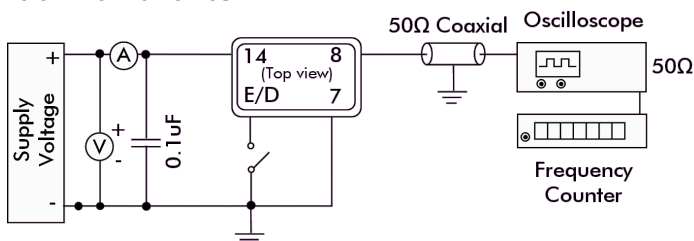
Frequency Stability over Operating Temp. Range*	±25ppm	±50ppm	±100ppm
Commercial -10° to +70°C	A	B	C
Industrial -40 to +85°C	D	E	F

* If non-standard temperature stability is required enter the desired stability in ppm after either 'C' (-10° to +70°) or 'I' (-40° to +85°C)
Example: 'C20' = ±20ppm over -10 to +70°C

CURRENT CONSUMPTION

Frequency	Current (Typical)	
	Supply 3.3 Volts	Supply 5.0 Volts
10.0MHz	9mA	18mA
100.0MHz	18mA	34mA
150.0MHz	19mA	36mA

HS SERIES TEST CIRCUIT



PART NUMBER FORMAT

Example: 3HS24-B-T-25.000-X-5

